

Century Bathworks, Inc.

MEASURING GUIDE

Please Fax to: 973-785-0777

- Measure the exact Finished Opening, Century will provide deductions.
 - Note if walls or sill dimensions vary.
 - Use Centerline Dimension for all enclosures.

Customer _____ Phone _____ Date _____

Sales Person _____ Purchase Order _____

Tub Enclosure

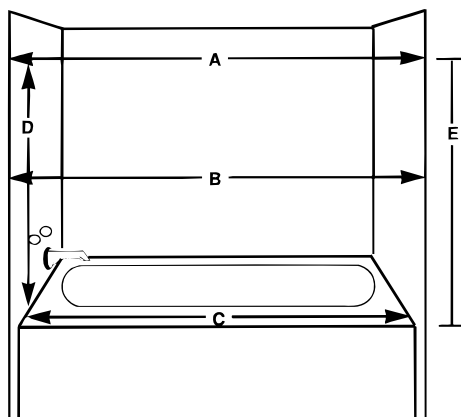
Circle Series Glasstec, Brassline, Centec, Trimtec, Lucette, Crest, Caprice.

Finish _____

Glass _____

Special Instructions _____

List Price _____

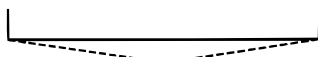


A	<input type="text"/>
B	<input type="text"/>
C	<input type="text"/>
D	<input type="text"/>

E

Shower Head: Left Right

Base: Level, Out of Level



Walls: Plumb



Tub Enclosure with In-Line Panel

Circle Series & Model

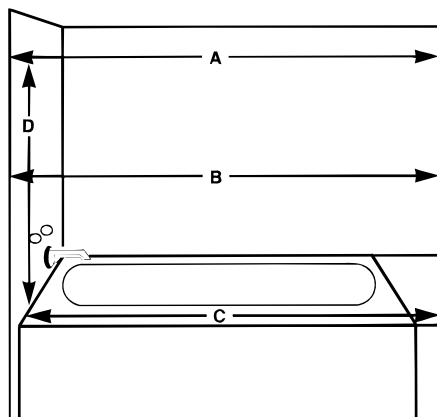
SERIES: Glasstec, Brassline, Centec, Lucette.
MODEL: 670 670-B

Finish _____

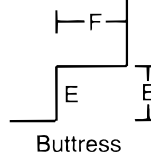
Glass _____

Special Instructions _____

List Price _____

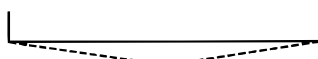


A	<input type="text"/>
B	<input type="text"/>
C	<input type="text"/>
D	<input type="text"/>
Buttress E	<input type="text"/>
In-Line Panel F	<input type="text"/>



Shower Head: Left Right

Base: Level, Out of Level



Walls: Plumb

