

Century Bathworks, Inc.

MEASURING GUIDE

Please Fax to: 973-785-0777

- Measure the exact Finished Opening, Century will provide deductions.
 - Note if walls or sill dimensions vary.
 - Use Centerline Dimension for all enclosures.

Customer _____ Phone _____ Date _____

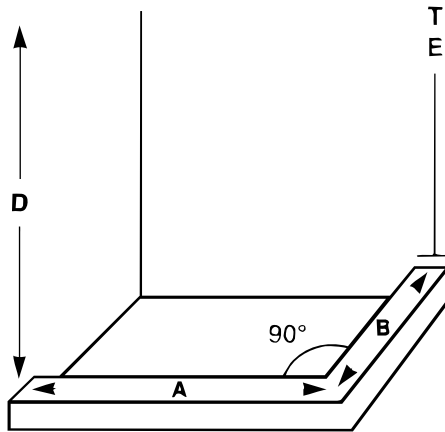
Sales Person _____ Purchase Order _____

Corner Enclosure

Circle Series & Model Door with 90° Return Panel ■ Door & Panel with 90° Return Panel
 SERIES: Glasstec, Brassline, Centec Hinge, Lucette, Crest.
 MODEL: 1630 (Single Door with Return) ■ 1631 (Door & Panel with Return)

Finish _____
 Glass _____
 Special Instructions _____

 List Price _____



Centerline	A	<input type="text"/>	
	B	<input type="text"/>	
Height	D	<input type="text"/>	
	E	<input type="text"/>	
Door:	A	or	B
Return:	Left <input type="text"/>	Right	<input type="text"/>

Standard Universal Hinge
 Steam Unit note Hinge

Base: Level, Out of Level

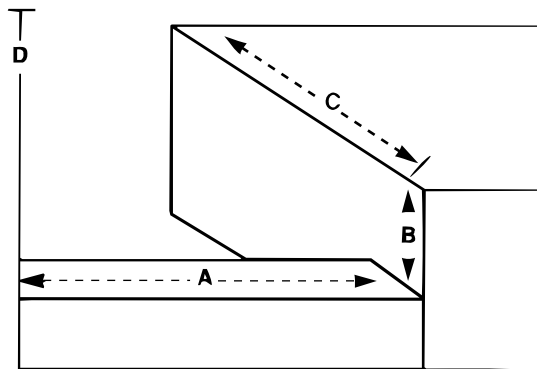
Walls: Plumb

Corner Enclosure with a Buttress Return

Door with 90° Return Panel ■ Door & Panel with 90° Return Panel
 SERIES: Glasstec, Brassline, Centec Hinge, Lucette, Crest.
 MODEL: 1630-B (Single Door with Return) ■ 1631-B (Door & Panel with Return)

Finish _____
 Glass _____
 Special Instructions _____

 List Price _____



Centerline	A	<input type="text"/>	
Height (Buttress)	B	<input type="text"/>	
Return Panel	C	<input type="text"/>	
Height	D	<input type="text"/>	
Return:	Left <input type="text"/>	Right	<input type="text"/>

Standard Universal Hinge
 Steam Unit note Hinge

Base: Level, Out of Level

Walls: Plumb