

Century Bathworks, Inc.

MEASURING GUIDE

Please Fax to: 973-785-0777

- Measure the exact Finished Opening, Century will provide deductions.
- Note if walls or sill dimensions vary.
- Use Centerline Dimension for all enclosures.

Customer _____ Phone _____ Date _____

Sales Person _____ Purchase Order _____

By-Pass Stall Enclosure

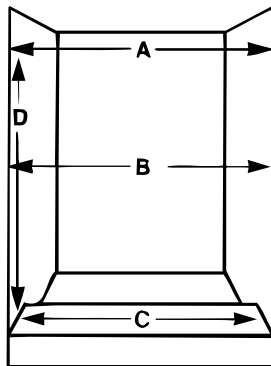
Circle Series SERIES: Glasstec, Brassline, Centec, Trimtec, Lucette, Crest, Caprice.

Finish _____

Glass _____

Special Instructions _____

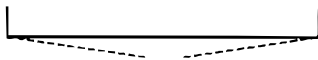
List Price _____



A	<input type="text"/>
B	<input type="text"/>
C	<input type="text"/>
D	<input type="text"/>

Shower Head: Left Right

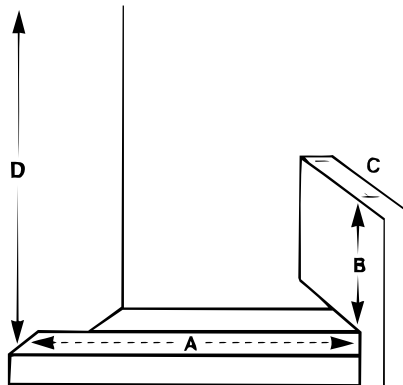
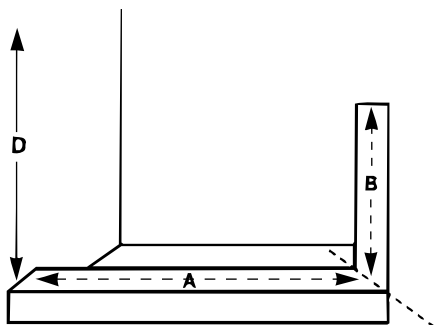
Base: Level, Out of Level



Walls: Plumb



A	<input type="text"/>
B	<input type="text"/>
D	<input type="text"/>

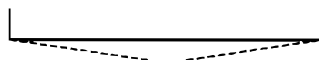


A	<input type="text"/>
Buttress B	<input type="text"/>
Return Panel C	<input type="text"/>
D	<input type="text"/>

Shower Head: Left Right

Unit as shown Reverse

Base: Level, Out of Level



Walls: Plumb

